



MINIATURE/CANDELABRA/INTERMEDIATE MULTICHIP BASED GLOW-LEDs

FEATURES

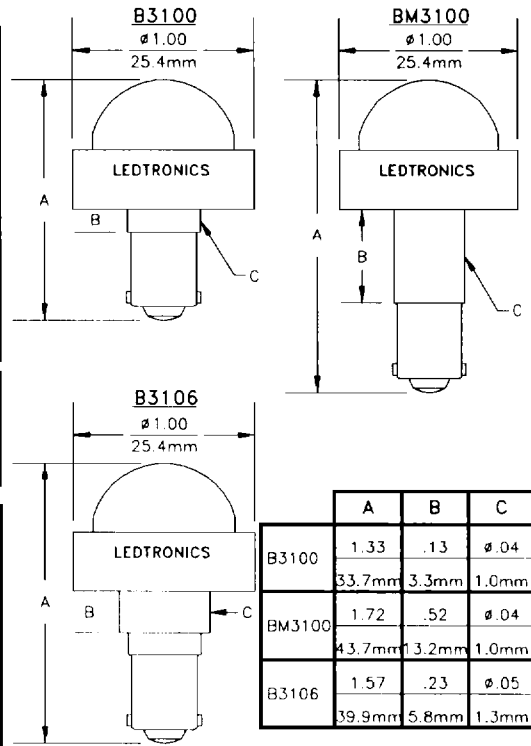
DIRECTLY REPLACES STANDARD INCANDESCENTS

- 10 YEAR / 100,000 HOURS
- SOLID STATE - HIGH SHOCK & VIBRATION RESISTANCE
- BUILT-IN CURRENT LIMITING RESISTOR FOR APPLICATIONS FROM 4V TO 240VAC
- HIGH INTENSITY ILLUMINATION
- LOW CURRENT-POWER SAVINGS 100 TO 500% AND MORE...
- CHOICE OF 3 BODY LENGTHS
- LARGE EVENLY DIFFUSED LENS, OVER 180 DEG. VIEW
- DIRECTLY REPLACES STD INCAND. IN AB 800T, LH76 & ET16 HOLDERS
- PILOT LIGHTS, IND. CONTROLS, LIGHTED PUSHBUTTON SWITCHES, AUTOMOTIVE INDICATORS, ETC.

REPLACES FOLLOWING INCANDESCENTS

6MB, 12MB, 24MB, 120MB, 44, 47, 51, 130, 137, 219, 239, 240, 755, 1302, 1437, 1445, 1819, 1828, 1829, 1832, 1835, 1847, 1866, 1892

PART NO: B3106 TR3-28V/20-P			
MODEL #	LENS/COLOR/BRIGHT	VOLTS/mAmps Typ	FEATURES
MULTICHIP 6-CHIP	TR3K = 3Kmcld RED	4Vf, 6Vf, 12Vf= EXT. RES. REQD.	CENTER CONTACT: B = BLK BEZEL
B3106 FOR LH76/BS780	TR6 = ULTRA RED	5V/60,6V/60,12V/30,14V/30,	P = POSITIVE +
B3100 FOR AB-800T/FVLU	TR3 = HI-EFF RED	24V/20,28V/20,36V/15,48V/15,	N = NEGATIVE -
BM3100 FOR E116/MFVL	T04 = ORANGE	60V/12,120VAC/8	BP = BIPOLAR
	TY3 = YELLOW	Other Voltage/mAmps Available	AC = VAC
	TG3 = HI-EFF GREEN		

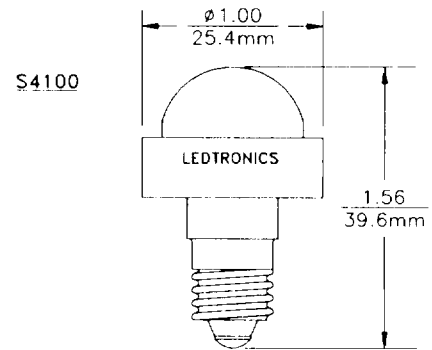


CANDELABRA SCREW BASE GLOW BULB LEDs

REPLACES FOLLOWING INCANDESCENTS

3S6, 6S6 IN 6V-12V-24V-30V-48V-60V-75V-125V AC/DC

PART NO: S4100 TR3-28V/20-P			
MODEL #	LENS/COLOR/BRIGHT	VOLTS/mAmps Typ	FEATURES
MULTICHIP 6-CHIP	TR3K = 3Kmcld RED	4Vf, 6Vf, 12Vf= EXT. RES. REQD.	CENTER CONTACT: B = BLK BEZEL
S4100	TR6 = ULTRA RED	5V/60,6V/60,12V/30,14V/30,	P = POSITIVE +
	TR3 = HI-EFF RED	24V/20,28V/20,36V/15,48V/15,	N = NEGATIVE -
	T04 = ORANGE	60V/12,120VAC/8	BP = BIPOLAR
	TY3 = YELLOW	Other Voltage/mAmps Available	AC = VAC
	TG3 = HI-EFF GREEN		



AUTOMOTIVE BASE GLOW BULB LEDs

REPLACES FOLLOWING INCANDESCENTS

6, 64, 72, 73D, 81, 88, 90, 94, 99, 104, 210, 302, 304, 306, 308, 895, ETC.

PART NO: DB3100 TR3-28V/20-P			
MODEL #	LENS/COLOR/BRIGHT	VOLTS/mAmps Typ	FEATURES
MULTICHIP 6-CHIP	TR3K = 3Kmcld RED	4Vf, 6Vf, 12Vf= EXT. RES. REQD.	CENTER CONTACT: B = BLK BEZEL
B3100	TR6 = ULTRA RED	5V/60,6V/60,12V/30,14V/30,	P = POSITIVE +
DB3100	TR3 = HI-EFF RED	24V/20,28V/20,36V/15,48V/15,	N = NEGATIVE -
DB3100	T04 = ORANGE	60V/12,120VAC/8	BP = BIPOLAR
S3100	TY3 = YELLOW	Other Voltage/mAmps Available	AC = VAC
	TG3 = HI-EFF GREEN		

